



**AXIS
CORPORATION**

**The Affordable, Towable
and Powerful Alternative to
Conventional Backhoes**

TOWABLE OVER THE ROAD



6,000 LBS. OF DIGGING FORCE

**A Full-size Backhoe
that Tows
Behind a Half-ton
Truck Without
the Need of a
Trailer**



**Self propelled at
the job site**

TRUCKHOE[®]

TOWABLE TRUCKHOE®

The TRUCKHOE's 17' reach allows for easy loading of large dump trucks



- The TOWABLE TRUCKHOE® features a reach of 17 feet and over 6,000 lbs. of digging force. This translates into a conventional backhoe performance without conventional backhoe drawbacks.
- It is constructed of high-quality materials, including hardened steel bushings at all pivot points.
- It can be operated as a walking excavator. This permits work in sites inaccessible to conventional backhoes.

The TRUCKHOE® can be towed at highway speeds



At cemeteries, the 36" bucket allows for quick openings without repositioning



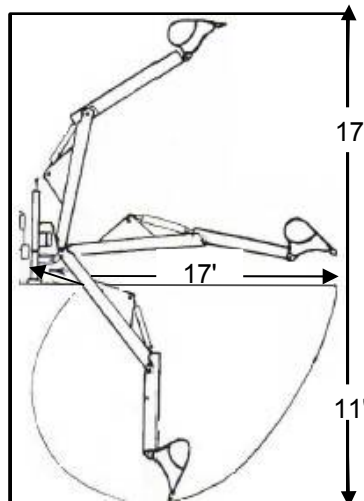
Quickly becoming the backhoe of choice at cemeteries, The TOWABLE TRUCKHOE® with hydraulic drive provides quick openings without the turf damage associated with conventional backhoes.

Use as a walking excavator



Specifications

Weight.....4500 lbs.
 Tongue Weight.....470 lbs.
 Transport Width.....78"
 Bucket Break-out.....6681 lbs.
 Dipper Arm.....4604 lbs.
 Boom Lift @ 65°1850 lbs.
 Engine.....22 hp
 Reach from Swing.....17 ft.
 Transport Height.....approx. 11 ft.
 Stabilizer Spread.....9 to 10' 10"
 Swing.....180°



The TRUCKHOE's 17' reach and 11' digging depth are more than many tractor-mounted hoes offer.

Accessories & Options

- Auger 4" thru 36"
- Rubber Feet
- Buckets from 12" to 36"
- Night Light Package
- Hydraulic Breaker
- Color Choice



AXIS CORPORATION

314 Water Avenue
 Bellefontaine, OH 43311
 800-422-2947
www.thetruckhoe.com
sales@axiscorporation.com